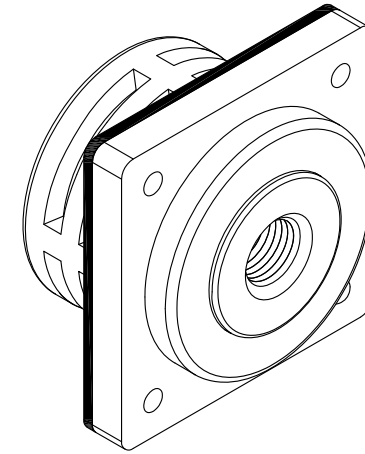
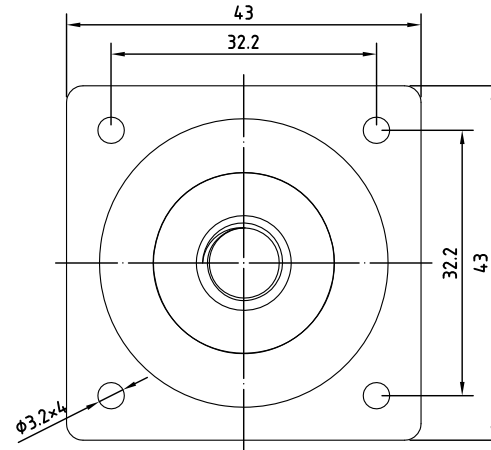
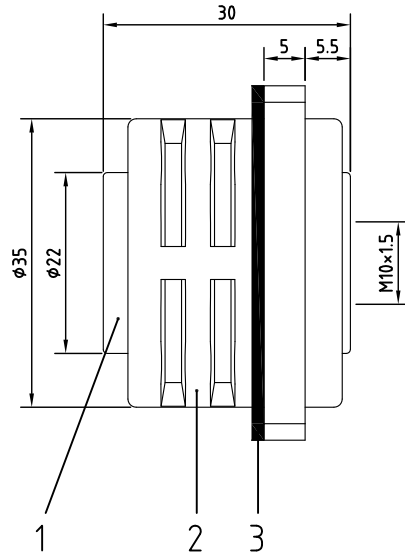


REV.	Description	Date
1	add electrical characteristics	2018/8/21

Electronical Characteristics
 Rated voltage : 1000V
 Rated current : 500A
 Insulation resistance : $\geq 10M\Omega$
 *Operating temperature: -30°C to 115°C



Part Number Table

part number	Body color
UT-3649-01	Red
UT-3649-02	Black

3	Pad	Rubber	
2	Body	PA	
1	Metal	Brass	Nickel Ptd.
Item	Description	Material	Treat

RoHS
 TOLERANCE X±0.5 .X±0.3



Unicable Co., Ltd. 國陽電業有限公司

5F., No. 111-33, Sec. 4, San Ho Road, San Chung City, Taiwan, R.O.C.
<http://www.unicable.com.tw> TEL:+886-2-2286-2122 FAX:+886-2-2286-1010

DATE	2018/8/21	PART NO.	UT-3649-XX
DWN	GINA	REV.	1
CHK			
UNIT	MM		

ITEM High Power 500A